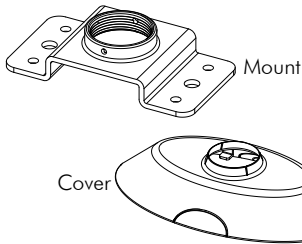
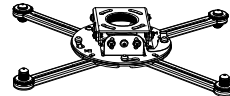
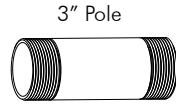


Component Checklist



- Tools Required:**
- Power Drill
 - 4.5mm (0.18") Drill Bit
 - 10mm (3/8") Socket Wrench Shifter
 - Phillips Head Screw Driver



TH-PF
Pro AV Projector Mount

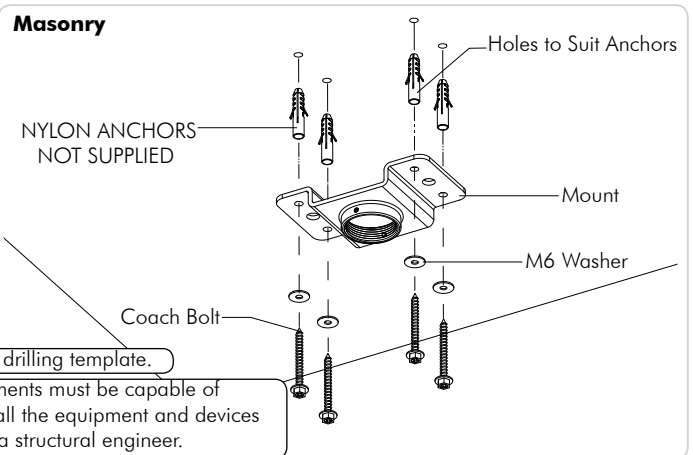
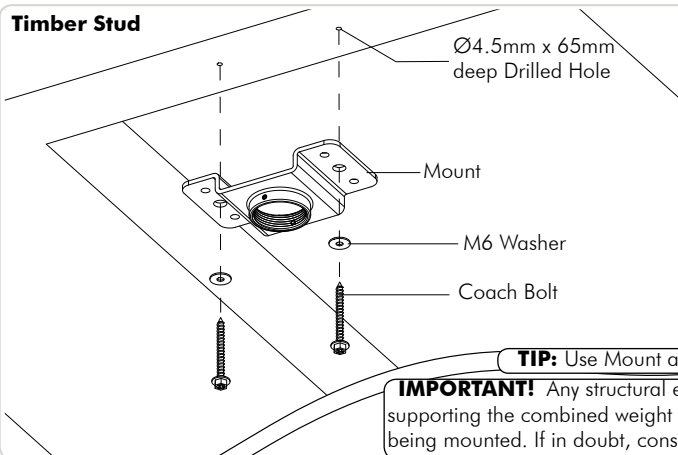
IMPORTANT INFORMATION:

- ! **IMPORTANT - Install Telehook Ceiling Mount as per installation instruction.**
- ! This product supports a maximum load of 25kg (55lbs.).
- ! The manufacturer accepts no responsibility for incorrect installation.

Step 1. Check Components

Check you have received all parts against the component checklist and hardware above.

Step 2. Ceiling Mount

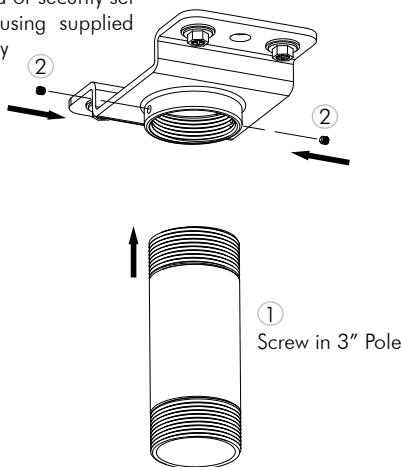


TIP: Use Mount as a drilling template.

IMPORTANT! Any structural elements must be capable of supporting the combined weight of all the equipment and devices being mounted. If in doubt, consult a structural engineer.

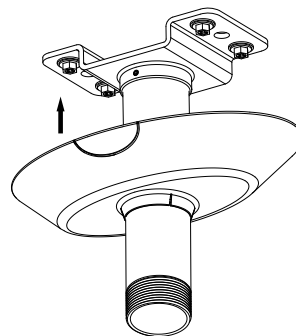
Step 3.

Secure pole by inserting standard or security set screws using supplied Allen key



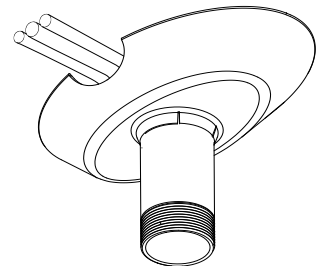
Step 4.

Clip on Cover



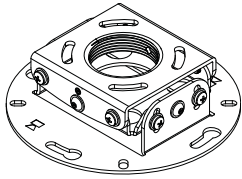
Step 5.

Side panels can be snapped off to provide cable route

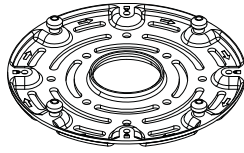


To complete installation please jump to Step 5 of the TH-PF installation manual

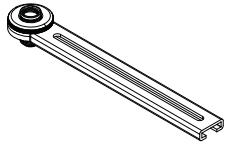
Component Checklist



Mount



Base Plate



Leg (x4)

Tools Required:

- Power Drill
- 4mm(0.15") Drill Bit
- 9mm(0.35") Masonry Drill Bit
- Phillips Head Screwdriver
- 13mm (0.5") Socket Wrench/ Shifter

HARDWARE

- M6 Washer (x4)
- Coach Bolt (x4)
- Nylon Anchor (x4)
- 3mm Security Allen Key
- 10mm Spacer (x4 each)
- Security Cap (x4)
- 5x10mm Security Screw
- Square Nut (x4)

Projector Mounting Screws (x4 each)

- M2.5x15mm w/ Washer
- M4x15/20/25mm
- M3x15/20mm w/ Washer
- M5x15/20/25mm
- M5x10mm Socket Head Screw (x4)
- M6x15/20/25mm

IMPORTANT INFORMATION:

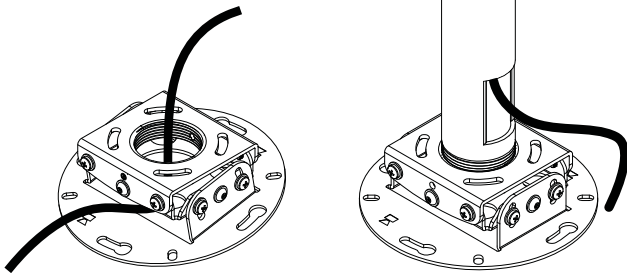
- ! **IMPORTANT - Install Telehook Projector Ceiling Mount as per installation instruction.**
- ! This product supports a maximum load of 25kg (55lbs.).
- ! The manufacturer accepts no responsibility for incorrect installation.

Step 1. Check Components

Check you have received against the component checklist and hardware above.

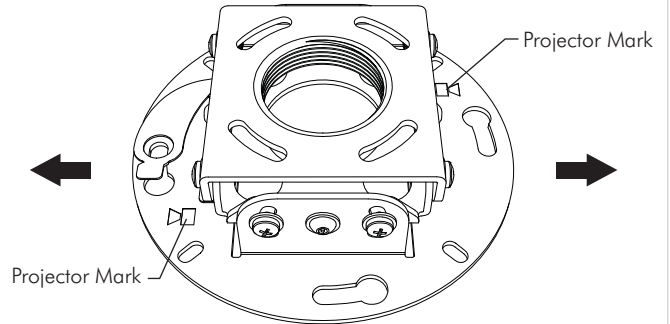
Step 2. Cable Management

The TH-PF can be mounted flush to a ceiling (Step 4) or to a pole (Step 5). Before mounting your TH-PF, give consideration to your cable route. The TH-PF has provision for cable management as shown below.



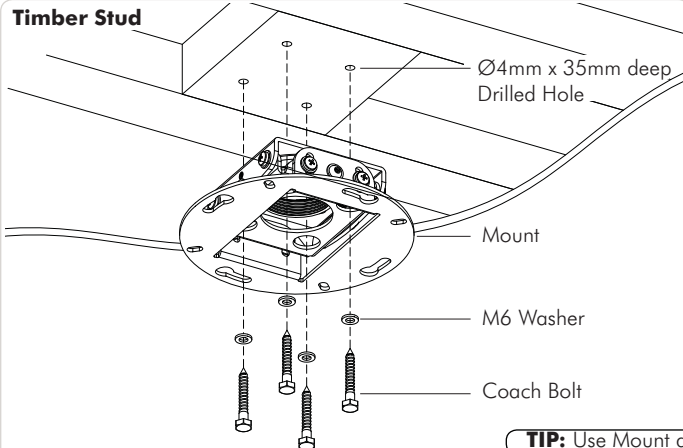
Step 3. Choosing Orientation

Ensure the Mount is attached with the Projector Marks pointing in the same direction that the projector will be facing.



Step 4. Ceiling Mount

Timber Stud



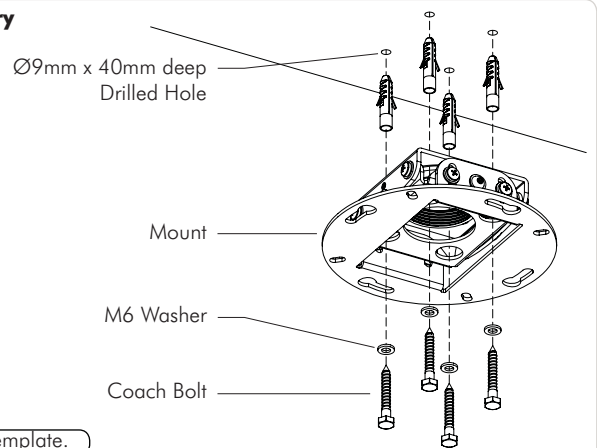
Ø4mm x 35mm deep Drilled Hole

Mount

M6 Washer

Coach Bolt

Masonry



Ø9mm x 40mm deep Drilled Hole

Mount

M6 Washer

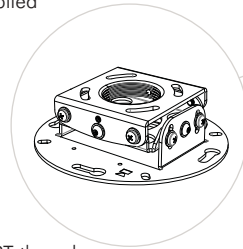
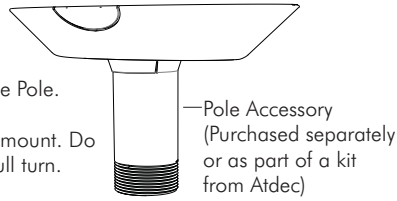
Coach Bolt

TIP: Use Mount as a drilling template.

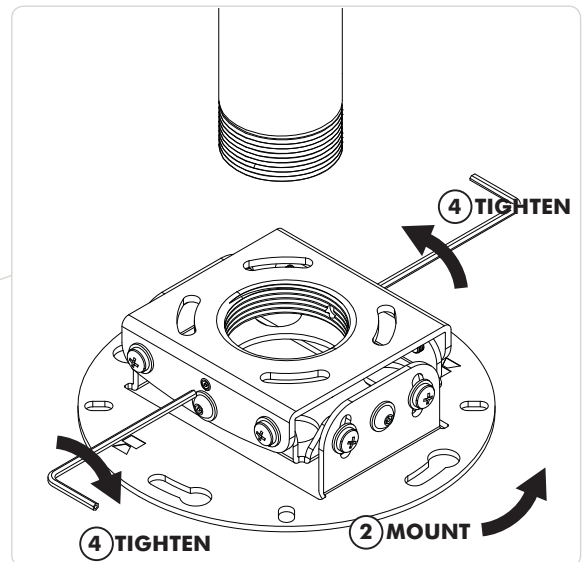
IMPORTANT! Any structural elements must be capable of supporting the combined weight of all the equipment and devices being mounted. If in doubt, consult a structural engineer.

Step 5. Pole Mount

1. Install Pole Accessory.
2. Thread mount fully into the end of the Pole.
3. Set the orientation by unwinding the mount. Do not unwind the mount more than one full turn.
4. Lock the mount in place by tightening the two security set screws in place using the supplied security allen key.



Note: The TH-PF is compatible with 1.5NPT thread.
A range of Pole Accessories are available from Atdec.

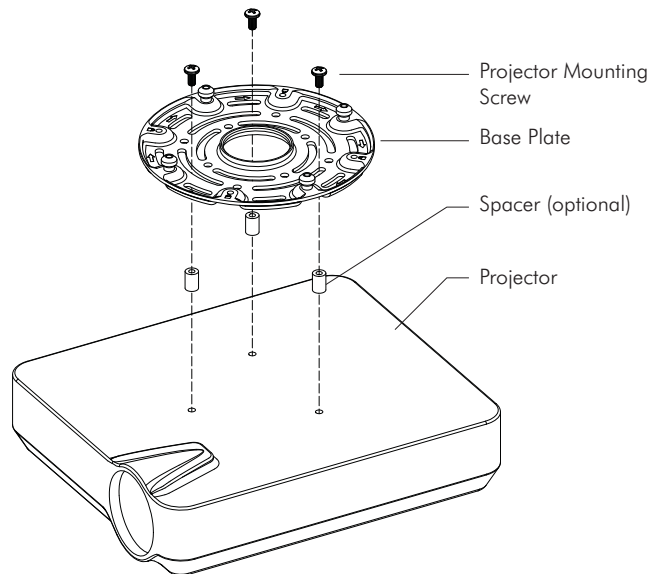


Step 6. Mounting Projector

Depending on the size of your projector, the TH-PF has several mounting options available.

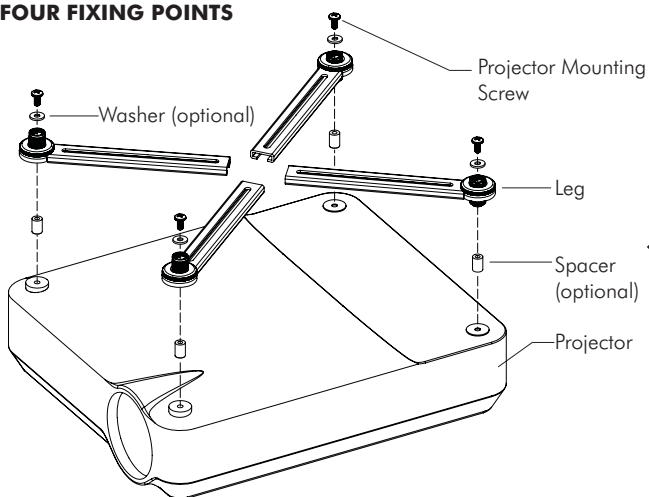
Smaller Projectors can be mounted directly to the Base Plate.

For all other projectors, use the supplied legs.

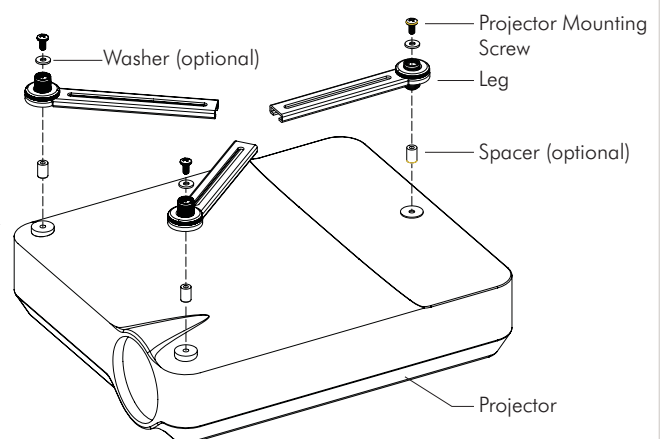


Step 7. Attach the Legs to the Projector

FOUR FIXING POINTS



THREE FIXING POINTS

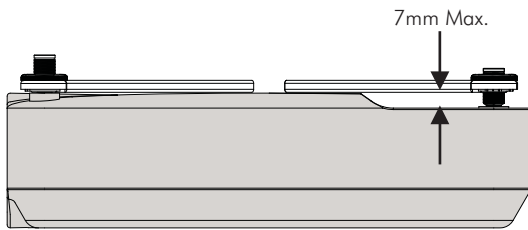


OR

Note: Washers must be used in conjunction with M2.5 and M3 projector mounting screws.

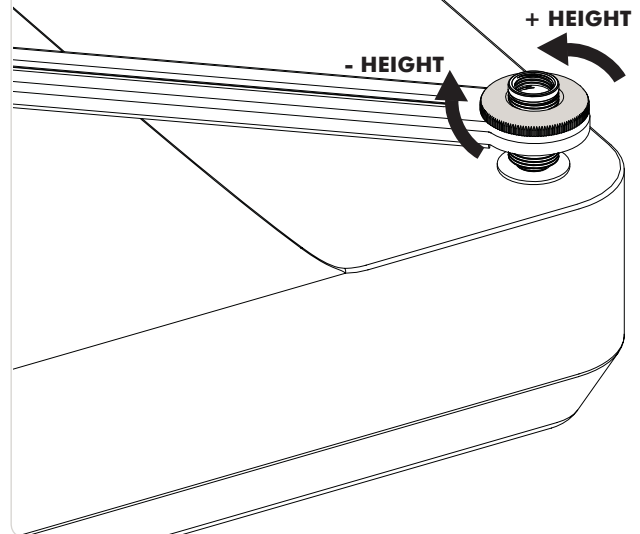
Step 8. Height Adjustment

If the surface of the projector is uneven the height of the legs can be adjusted to allow the legs to level with each other by turning the dial on the leg.



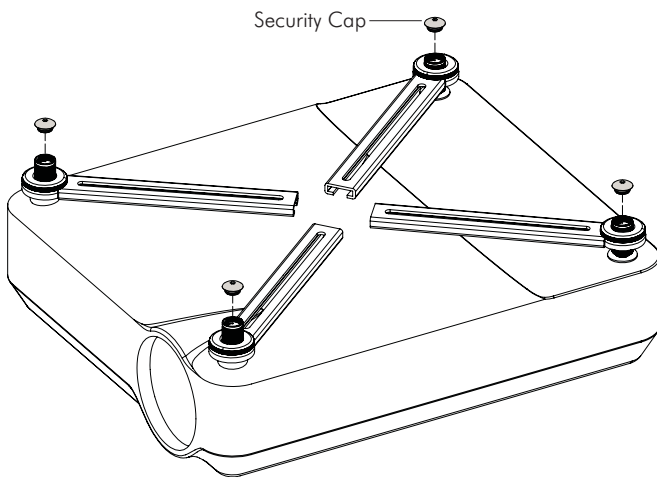
Note: if a difference in height of over 7mm is present use the spacers provided

Rotate the dial of the Leg counter-clockwise to increase height and clockwise to decrease height.



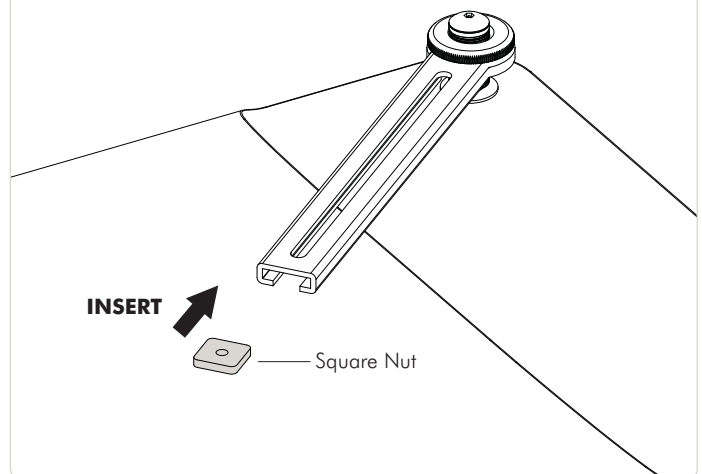
Step 9. Insert Security Caps

Insert Security Cap and tighten using the supplied 3mm Security Allen Key.

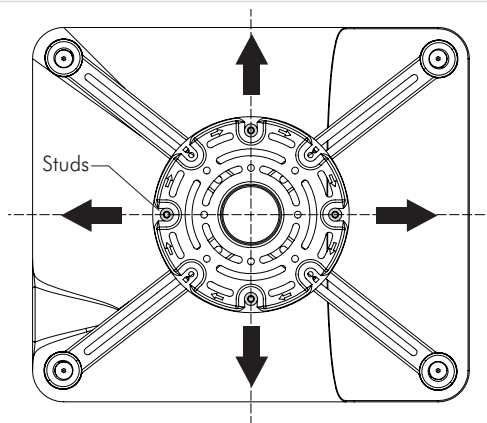


Step 10. Insert Square Nuts

Insert one Square Nut to each leg.



Step 11. Base Plate Orientation



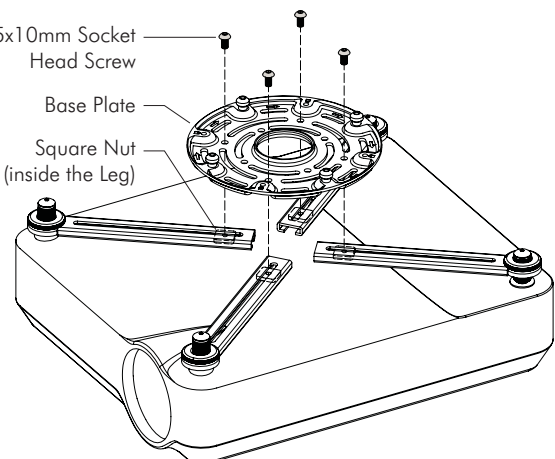
1. The four studs on the Base Plate should point along the axis of the projector.
2. Position the Base Plate centrally towards the heaviest part of the projector so that the weight of the projector is centred and balanced after mounting.

Step 12. Attach Base Plate

M5x10mm Socket Head Screw

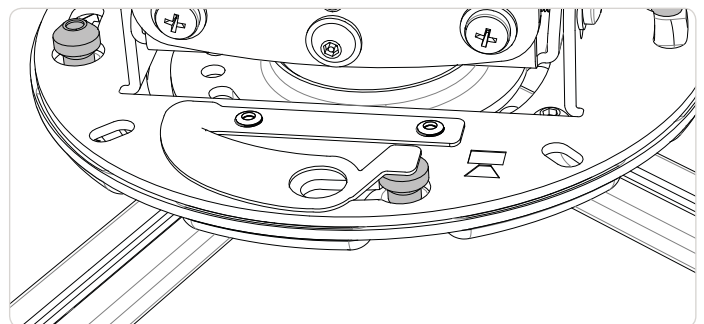
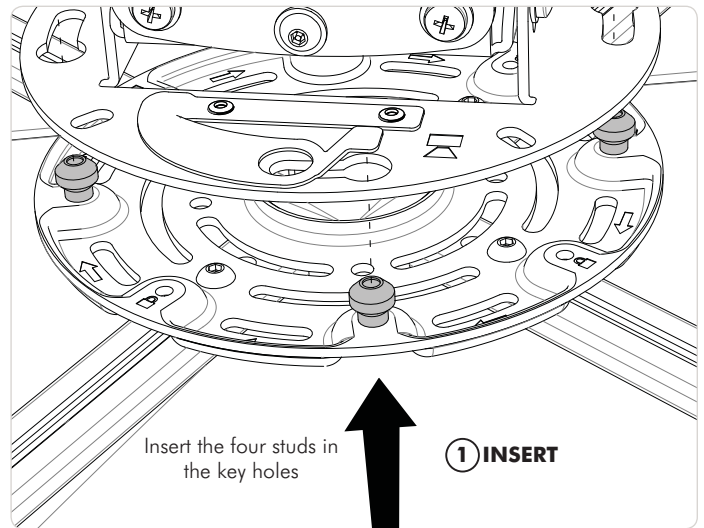
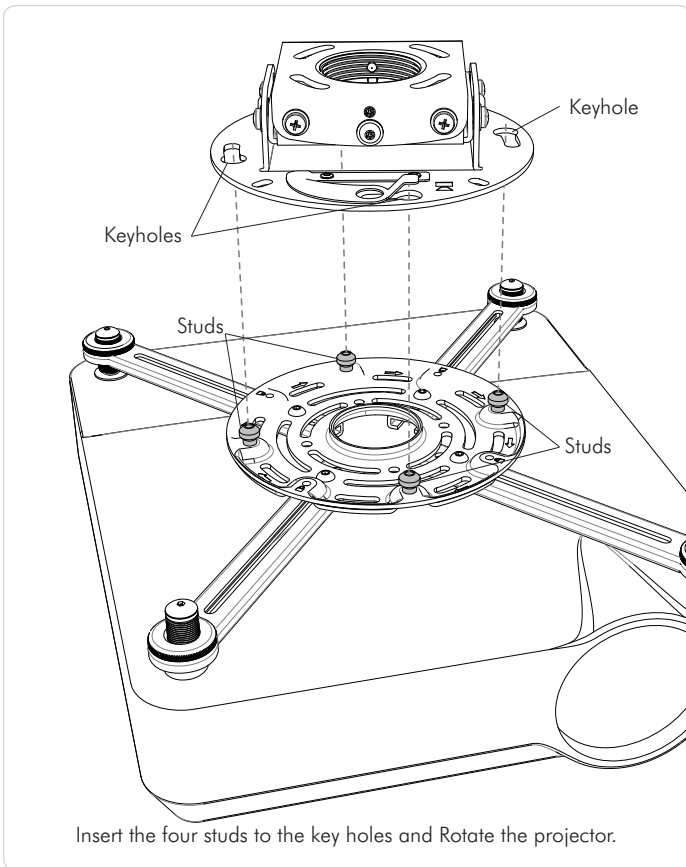
Base Plate

Square Nut (inside the Leg)

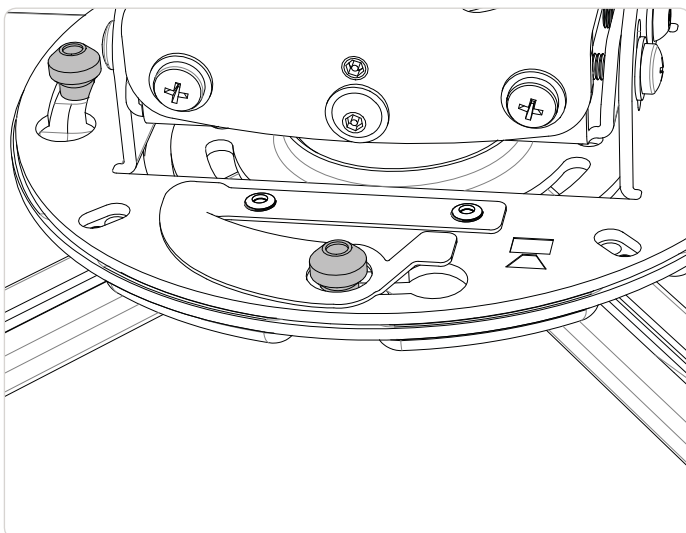
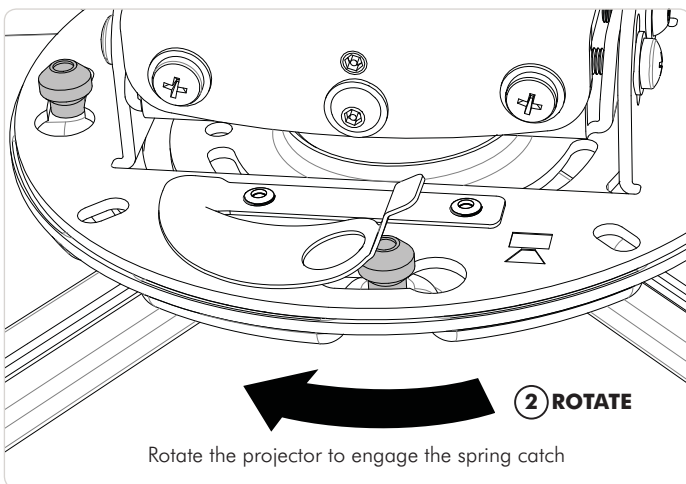


Use the supplied 3mm Security Allen Key to tighten the four screws.

Step 13. Attach Projector to Mount

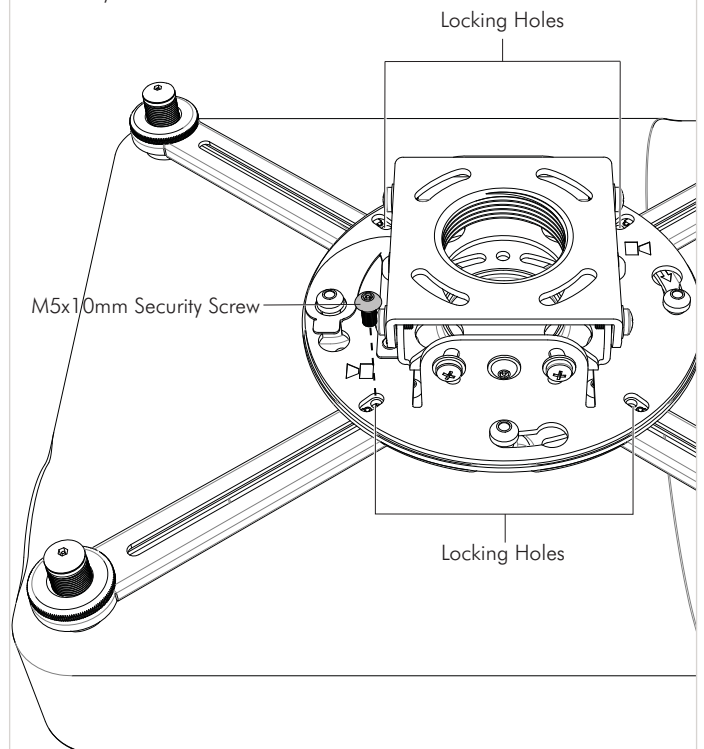


Step 13. cont.



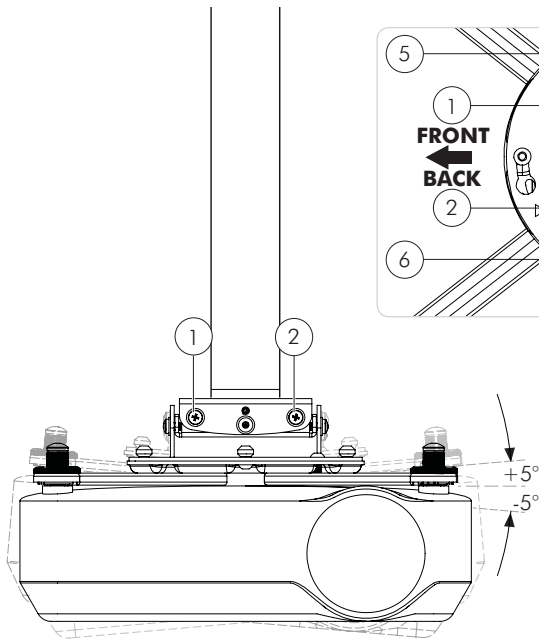
Step 14. Security

To secure the base plate insert the M5 x 10mm Security Screw into any of the four locking holes and tighten using the supplied 3mm Security Allen key



Step 15. Roll Adjustment

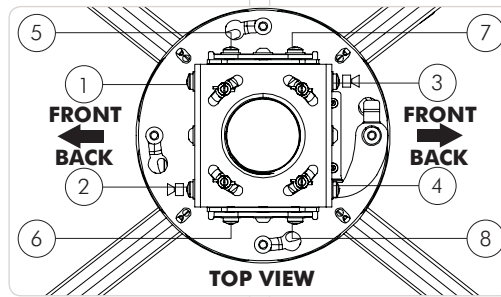
Loosen Phillips Head Screws 1-4 for Roll Adjustment of $\pm 5^\circ$ and tighten to fix position.



FRONT VIEW

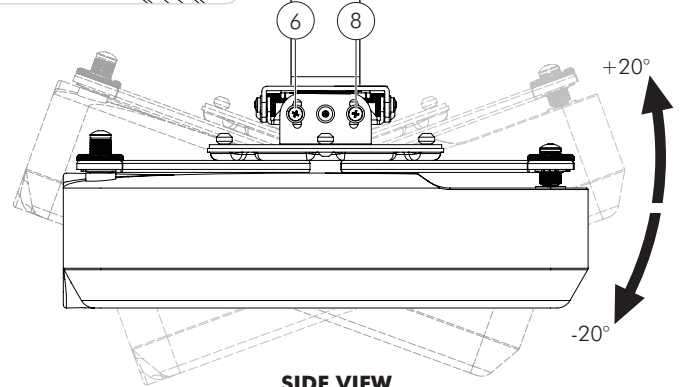
Step 16. Tilt Adjustment

Loosen Phillip Head Screws 5-8 for Tilt Adjustments of $\pm 20^\circ$ and tighten to fix position.



TOP VIEW

Note: When mounting the projector mount flush to a ceiling, depending on the size and shape of the projector a maximum tilt of $\pm 10^\circ$ can be achieved.



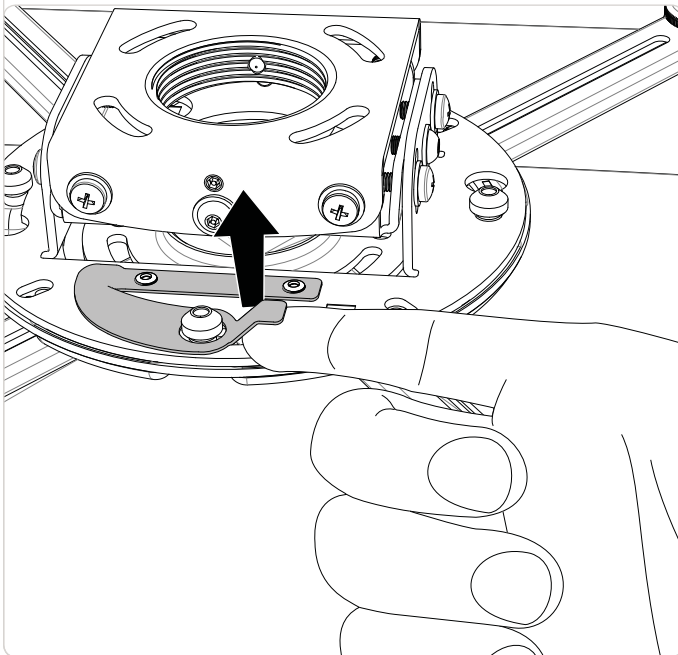
SIDE VIEW

Installation Complete

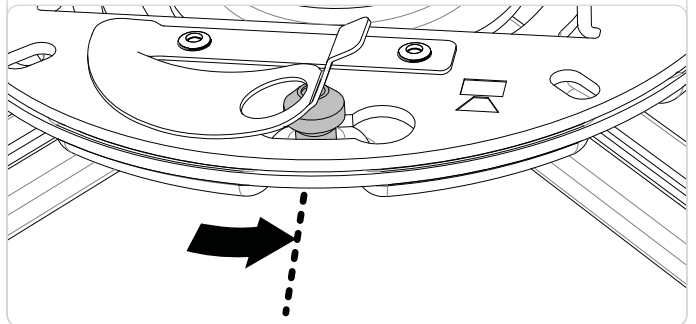
Removing the projector from mount (Warning care needed to remove projector)

1. Remove security screw installed in STEP 14

2. Pull up spring catch.



3. Move the projector round so the stud is partially out the hole.



4. **Carefully** rotate the projector to the end of the keyhole. When the stud reaches the end of the key hole the projector will be unsupported. Be ready to take the weight of the projector and lower it down away from the mount.

